

Water Cooled QCW Side Pumped Module

SP17 Series



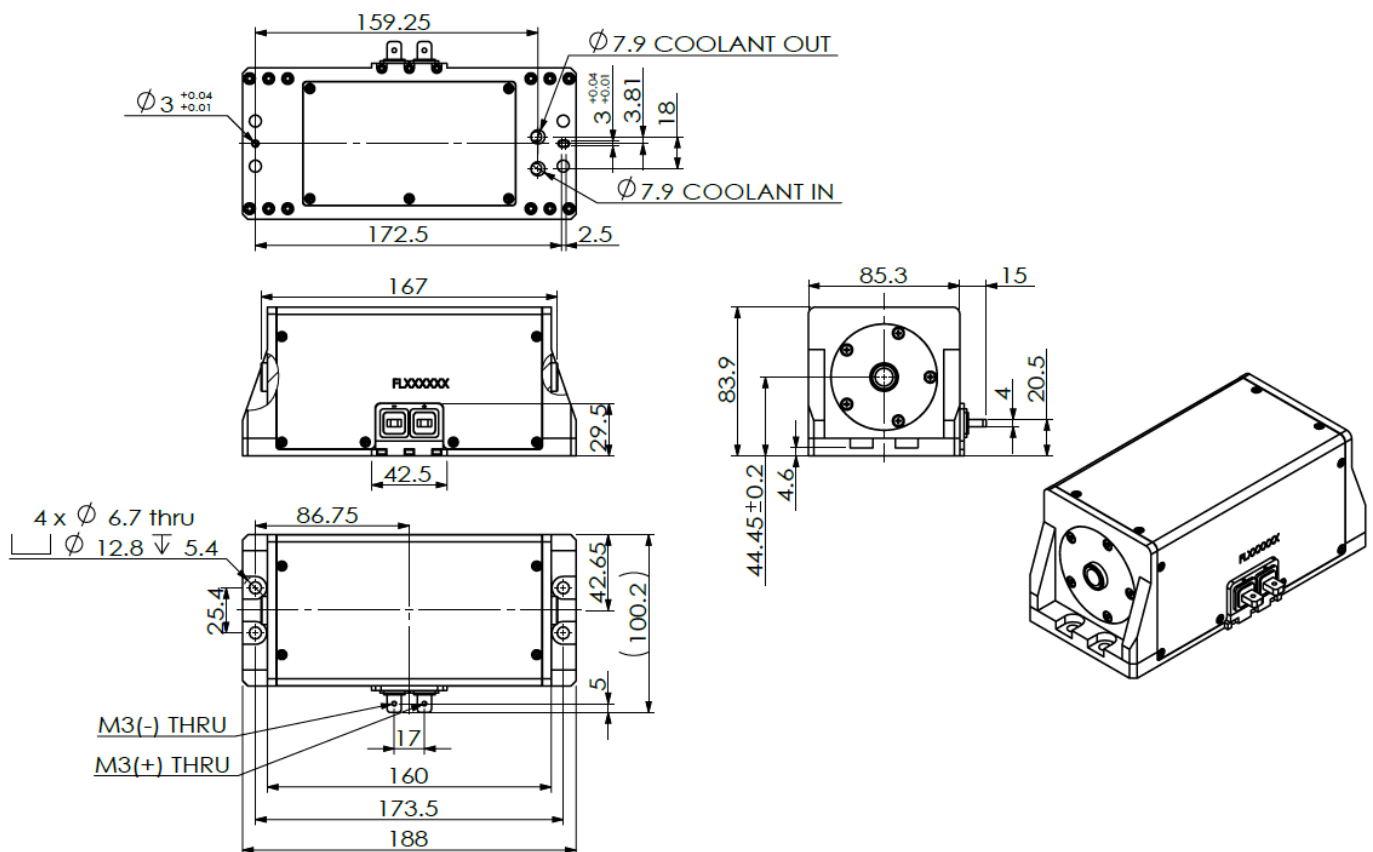
Features

- High peak power & High Gain
- Long lifetime
- High Fluorescence Uniformity
- High stability
- Compact Size

Applications

- Pumping
- Medical
- Industry
- Research

Product Dimensions (mm)



Remark: The structure drawing is for reference only. Please feel free to contact us for any special requirements.

Product Specifications

Product Code (Typical Customization)
Part No. FL-SP17-150-30000-808(Q)

General Data	Unit	Value
Number of Bars		150
Rod Type		Nd:YAG, 0.6% doped
Rod Diameter	mm	10
Rod Length	mm	167
Product Size (length x width x height)	mm	188 x 100.2 x 83.9
Product Weight	Kg	3.94

Optical Data	Unit	Value
Operation Type		QCW
Peak Power per Bar	W	≤200
Pumping Wavelength	nm	808±2
Pumping Length	mm	100
Output Power ¹	W	>600@1064nm
Stored Energy	J	>2@1064nm
Small Signal Gain (Amplification Factor)	-	>55@1064nm

Electrical Data	Unit	Value
Operating Current	A	≤200
Operating Voltage	V	≤300
Pulse Duration	μs	≤240
Repetition Rate	Hz	200

Thermal Data	Unit	Value
Operating Temperature	°C	25
Water Pressure	MPa	≤0.5
Water Flow	L/min	≥10
Storage Temperature ²	°C	-55 ~ 85

¹Output power in a short flat-flat cavity, cavity length:375mm±5mm, output coupler: 50%.

²Non-condensing environment is required for storage and operation below ambient dew point.

